

## THESE HIGH-VOLTAGE, HIGH-CURRENT

Darlington arrays are comprised of seven silicon NPN darlington pairs on a common monolithic substrate. All units have open-collector outputs and integral diodes for inductive load transient suppression.

ULN2003 has a 2.7 k $\Omega$  series base resistor for each darlington pair, allowing operation directly with TTL or CMOS operating at a supply voltage of 5 V. These devices will handle numerous interface needs particularly those beyond the capabilities of standard logic buffers.

ULN2004 has a 10.5 k $\Omega$  series input resistor that permits operation directly from CMOS or PMOS outputs utilizing supply voltages of 6 to 15 V.

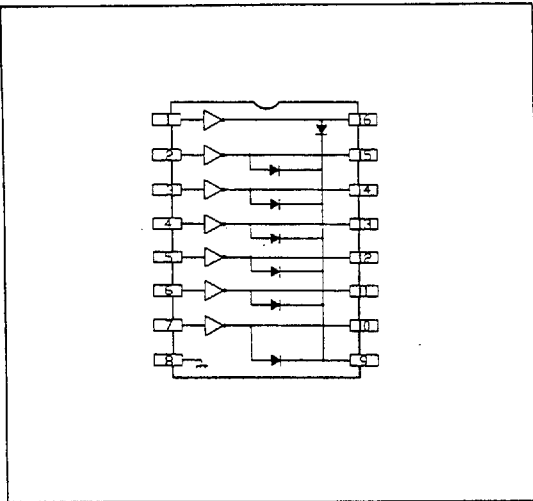
ULN2003/ULN2004 is the original high-voltage, high-current darlington array. The output transistors are capable of sinking 500 mA and will sustain at least 50 V in the off state. Output may be paralleled for higher load-current capability.

ULN2003/ULN2004 darlington arrays are furnished in a 16-Pin dual in-line plastic package. These can also be supplied in a hermetic dual in-line package for use in military and aerospace applications.

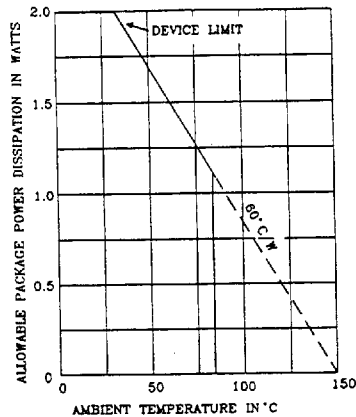
## DEVICE NUMBER DESIGNATION

VCE(MAX)	50V
IC(MAX)	500mA

Logic	Type Number
5V TTL, CMOS	ULN2003
6-15V CMOS, PMOS	ULN2004



## ALLOWABLE AVERAGE POWER DISSIPATION AS A FUNCTION OF AMBIENT TEMPERATURE



## ABSOLUTE MAXIMUM RATINGS

at +25 °C Free – Air Temperature  
( unless otherwise noted )

Input Voltage, $V_{IN}$ (ULN2003, ULN2004) . . . . .	30 V
Continuous Input Current, $I_{IN}$ . . . . .	25 mA
Power Dissipation, $P_D$ ( one Darlington pair ) . . . . .	1.0 W
( total package ) . . . . .	2.0 W*
Operating Ambient Temperature Range, $T_A$ . . . . .	-20°C to +85°C
Storage Temperature Range, $T_s$ . . . . .	-55°C to +150°C

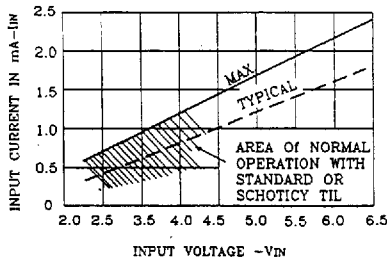
\* Debate at the rate of 16.67 mW/°C above +25°C .

Under normal operating conditions, these devices will sustain 350 mA per output with

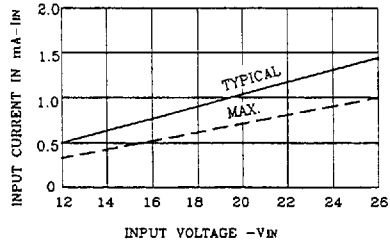
$V_{CE(STA)} = 1.6$  V at +70°C with a pulse width of 20 ms and a duty cycle of 34%.

## PARTIAL SCHEMATICS

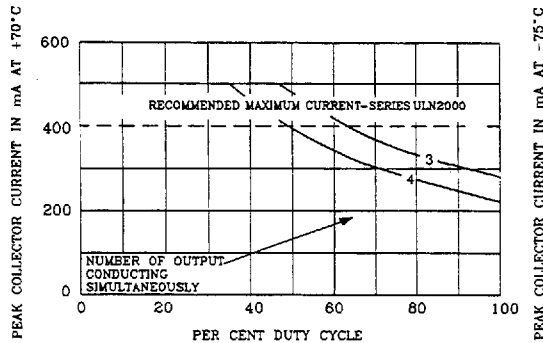
**Series ULN2003**  
(each driver)



**Series ULN2004**  
(each driver)



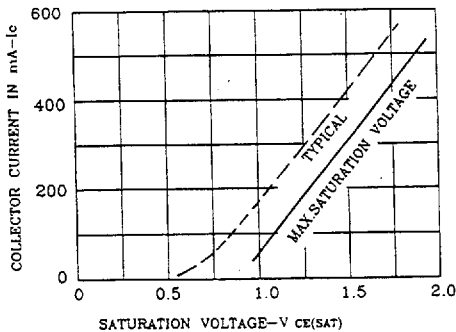
## PEAK COLLECTOR CURRENT AS A FUNCTION OF DUTY CYCLE



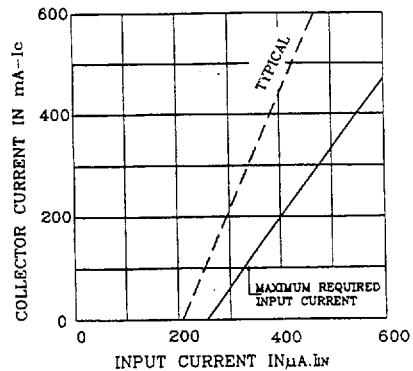
## ELECTRICAL CHARACTERISTICS AT +25°C ( unless otherwise noted )

Characteristic	Symbol	Test Fig.	Applicable Devices	Test Conditions	Limits			Units
					Min.	Typ.	Max.	
Output Leakage Current	$I_{CEX}$	1A	All	$V_{CE}=50V, T_A=25^\circ C$	—	—	50	$\mu A$
				$V_{CE}=50V, T_A=70^\circ C$	—	—	100	$\mu A$
Collector - Emitter Saturation Voltage	$V_{CE(SAT)}$	2	ULN2004	$V_{CE}=50V, T_A=70^\circ C, V_{IN}=1.0V$	—	—	500	$\mu A$
				$I_C=100mA, I_S=250\mu A$	—	0.9	1.1	V
				$I_C=200mA, I_S=350\mu A$	—	1.1	1.3	V
Input Current	$I_{IN(ON)}$	3	ULN2003	$V_{IN}=3.85V$	—	0.93	1.35	mA
				$V_{IN}=5.0V$	—	0.35	0.5	mA
				$V_{IN}=12V$	—	1.0	1.45	mA
Input Voltage	$I_{IN(OFF)}$	4	All	$I_C=500\mu A, T_A=70^\circ C$	50	65	—	$\mu A$
				$V_{CE}=2.0V, I_C=200mA$	—	—	2.4	V
				$V_{CE}=2.0V, I_C=250mA$	—	—	2.7	V
				$V_{CE}=2.0V, I_C=300mA$	—	—	3.0	V
	$V_{IN(ON)}$	5	ULN2003	$V_{CE}=2.0V, I_C=125mA$	—	—	5.0	V
				$V_{CE}=2.0V, I_C=200mA$	—	—	6.0	V
				$V_{CE}=2.0V, I_C=275mA$	—	—	7.0	V
				$V_{CE}=2.0V, I_C=350mA$	—	—	8.0	V
Input Capacitance	$C_{IN}$	—	All		—	15	25	pF
Turn-On Delay	$t_{PLH}$	—	All	$0.5 E_{in}$ to $0.5 E_{out}$	—	0.25	1.0	$\mu S$
Turn-Off Delay	$t_{PHL}$	—	All	$0.5 E_{in}$ to $0.5 E_{out}$	—	0.25	1.0	$\mu S$
Clamp Diode Leakage Current	$I_R$	6	All	$V_R=50V, T_A=25^\circ C$	—	—	50	$\mu A$
				$V_R=50V, T_A=70^\circ C$	—	—	100	$\mu A$
Clamp Diode Forward Voltage	$V_F$	7	All	$I_S=350mA$	—	1.7	2.0	V

**COLLECTOR CURRENT AS A FUNCTION OF SATURATION VOLTAGE**

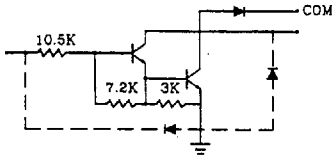


**COLLECTOR CURRENT AS A FUNCTION OF INPUT CURRENT**

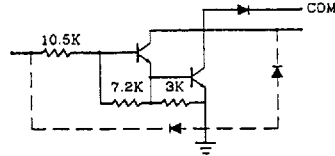


**INPUT CURRENT AS A FUNCTION OF INPUT VOLTAGE**

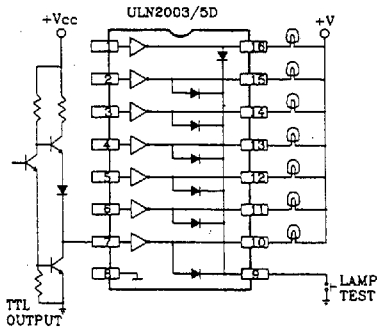
**SERIES ULN2003**



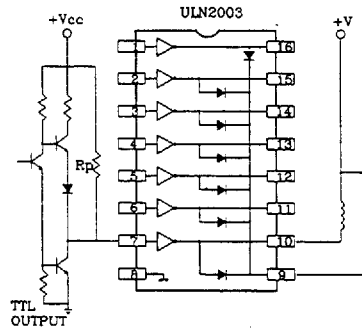
**SERIES ULN2004**



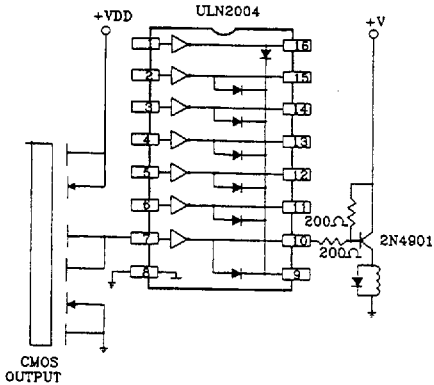
**TTL TO LOAD**



**USE OF PULL-UP RESISTORS TO INCREASE DRIVE CURRENT**



**BUFFER FOR HIGH-CURRENT LOAD**



TEST FIGURES

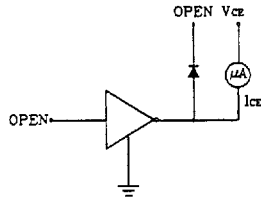


FIGURE 1A

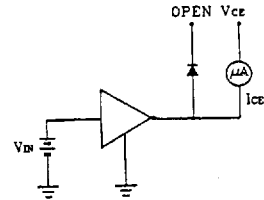


FIGURE 1B

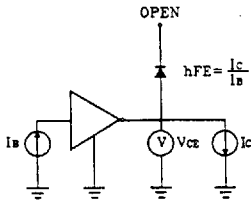


FIGURE 2

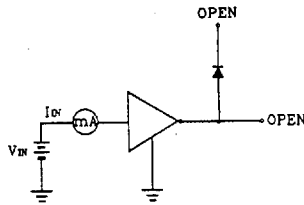


FIGURE 3

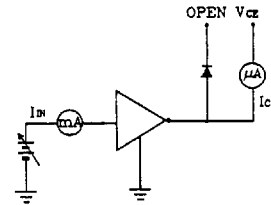


FIGURE 4

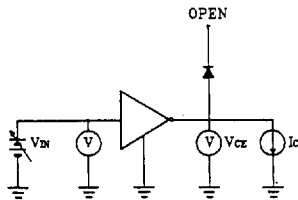


FIGURE 5

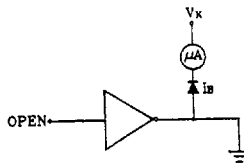


FIGURE 6

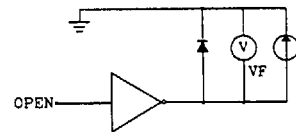


FIGURE 7